

SV-X70

Compact Glass Sliding System

Technical Details

- Compact sliding door system
- Suitable for 8 and 10mm glass
- Can support up to 70kg glass doors
- System has been tested to 100,000 cycles
- Variety of braking systems
- Tracks can be mounted to the wall, ceiling or recessed into the ceiling
- Tracks available with a glazing pocket for fixed panels.

Available Finishes

- Satin Anodised Aluminium



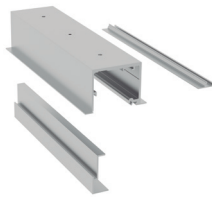
KITS
- Includes 3m track, rollers & clamps, floor guide and end caps.

- SV-X70-T1 KIT1 - Double Retaining Brake
- SV-X70-T1 KIT3 - Double Anti Shock
- SV-X70-T1 KIT6 - Double Soft Brake

TRACK OPTIONS



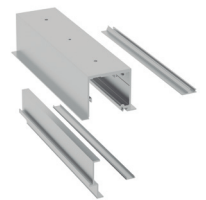
SV-X70-TRACK-1
Wall/Ceiling Mount



SV-X70-TRACK-2
False Ceiling Mount

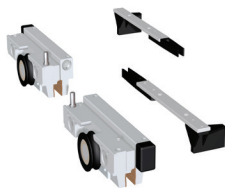


SV-X70-TRACK-3
Wall/Ceiling Mount
With Glazing Pocket

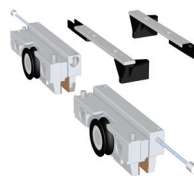


SV-X70-TRACK-4
False Ceiling Mount
With Glazing Pocket

BRAKE OPTIONS



Retaining Brake
SV-X70-SET-1
(Double Retaining Brake)



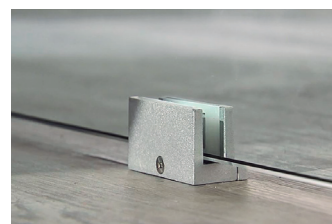
Anti-Shock
SV-X70-SET-3
(Double Anti-Shock)



Soft Brake
SV-X70-SET-6
(Double Soft Brake)

OTHER OPTIONS

- SV-X70-SET-2 - 1 x Anti-Shock & 1 x Retaining Brake
- SV-X70-SET-4 - 1 x Retaining Brake & 1 x Soft Brake
- SV-X70-SET-5 - 1 x Anti-Shock & 1 x Soft Brake



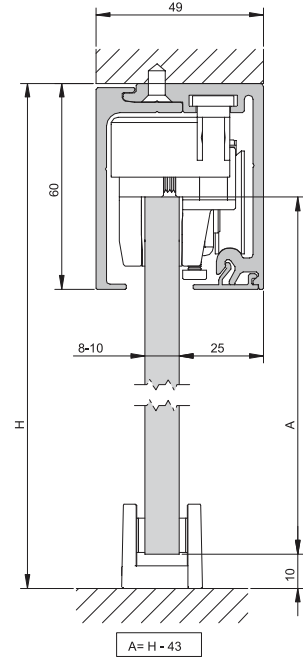
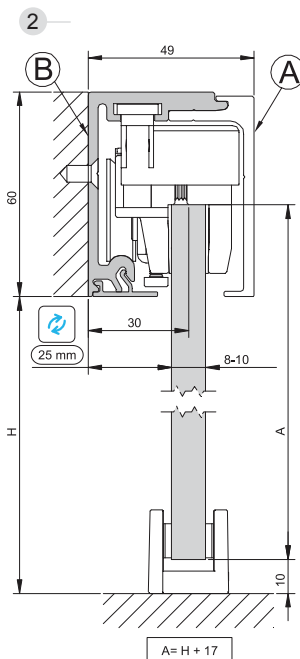
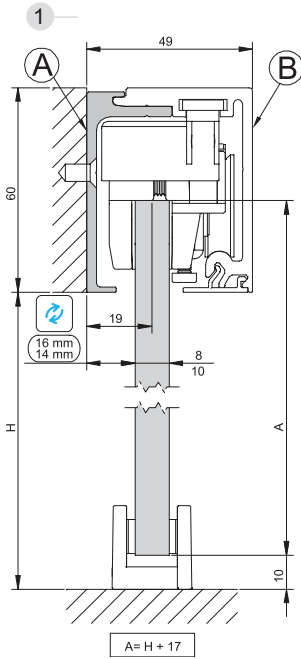
SV-X-FG
Floor Guide

SV-X70



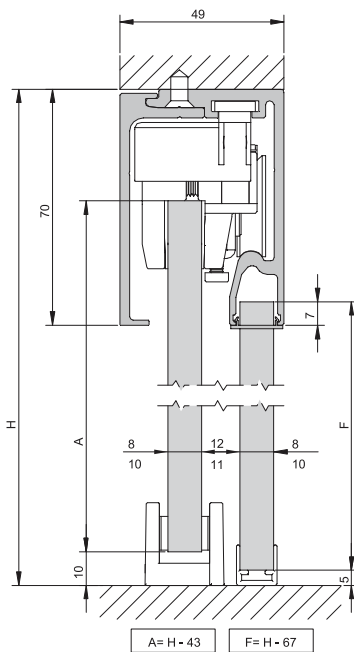
Track 1

Can be fixed to the wall through either side depending on desired clearance to wall.
 Can also be mounted to the ceiling



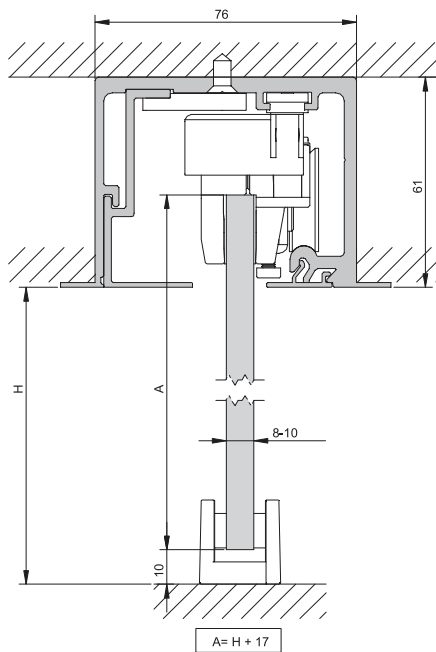
Track 2

Fixed Panel Option



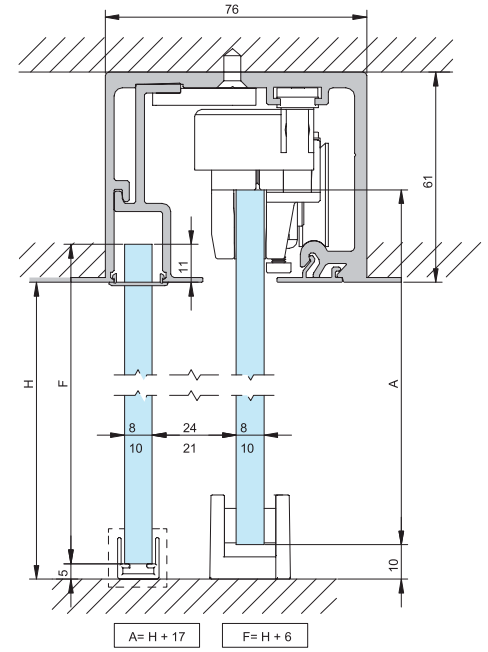
Track 3

False Ceiling Mount



Track 4

False Ceiling Mount w/ Fixed Panel



Installation Possibilities

