

# SV-X150



## Compact Glass Sliding System

### Technical Details

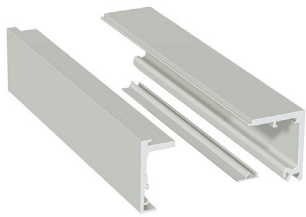
- Compact sliding door system
- Suitable for 10, 12 and 13.52mm glass
- Can support up to 150kg glass doors
- System has been tested to 100,000 cycles
- Variety of braking systems
- Tracks can be mounted to the wall, ceiling or recessed into the ceiling
- Tracks available with a glazing pocket for fixed panels.

### Available Finishes

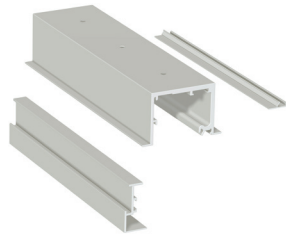
- Satin Anodised Aluminium



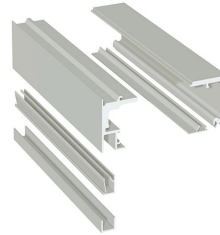
### TRACK OPTIONS - 6m lengths



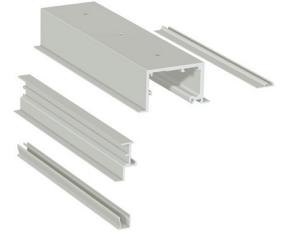
SV-X150-  
TRACK-1-6  
Wall/Ceiling Mount



SV-X150-  
TRACK-2-6  
False Ceiling Mount



SV-X150-  
TRACK-3-6  
Wall/Ceiling Mount  
With Fixed Panel



SV-X150-  
TRACK-4-6  
False Ceiling Mount  
With Fixed Panel

### BRAKE OPTIONS



Soft Pro  
SV-X150-SET-10  
(Double Soft Pro)



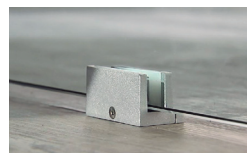
Retaining Brake  
SV-X150-SET-1  
(Double Retaining Brake)



Anti-Shock  
SV-X150-SET-3  
(Double Anti-Shock)

### OTHER OPTIONS

- SV-X150-SET-2 - 1 x Anti-Shock & 1 x Retaining Brake
- SV-X150-SET-7 - 1 x Retaining Brake & 1 x Soft-Pro
- SV-X150-SET-8 - 1 x Anti Shock & 1 x Soft-Pro



SV-X-FG  
Floor Guide



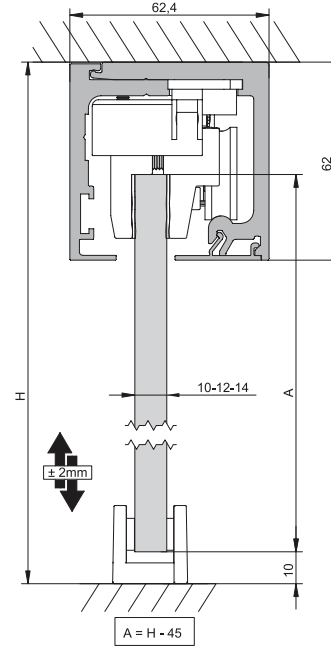
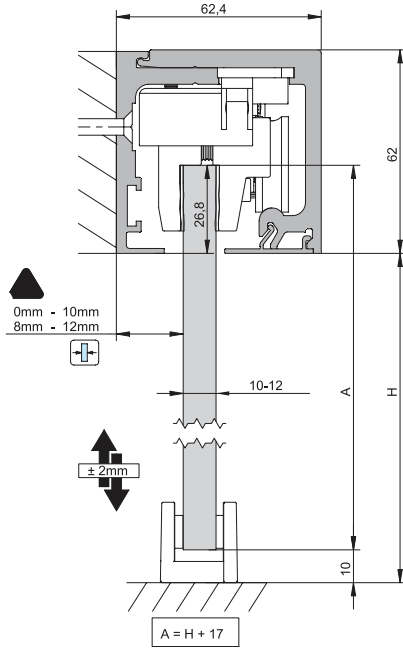
SV-X150-T1-EC  
End Caps

# SV-X150

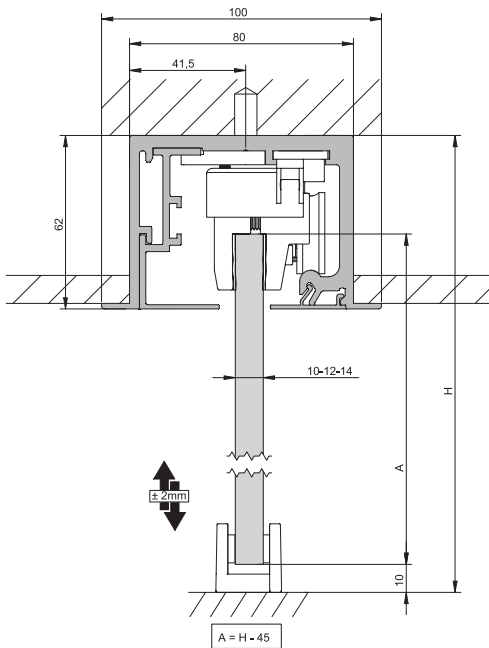


## Track 1

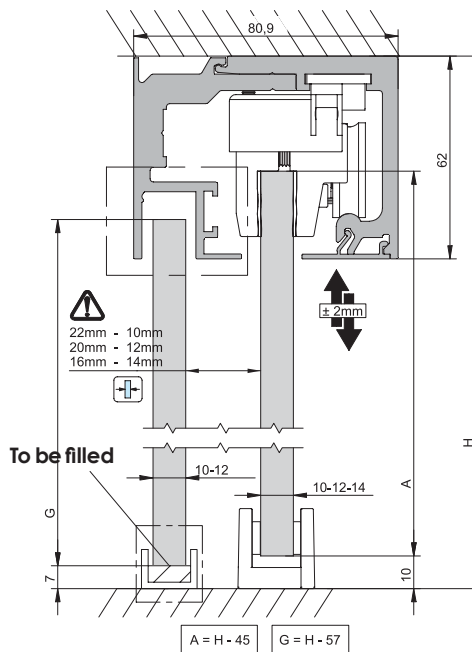
Can be fixed to the wall through either side depending on desired clearance to wall.  
 Can also be mounted to the ceiling



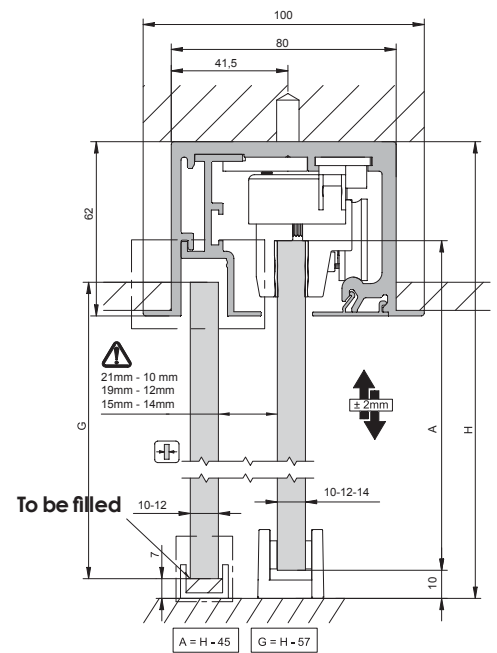
## Track 2 False Ceiling Mount



## Track 3 Fixed Panel Adaptor



## Track 4 False Ceiling Mount w/ Fixed Panel



## Installation Possibilities

