

FGWB240

Bracing Bar

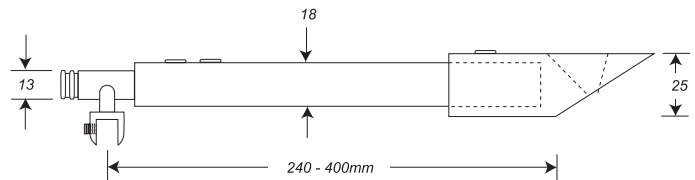
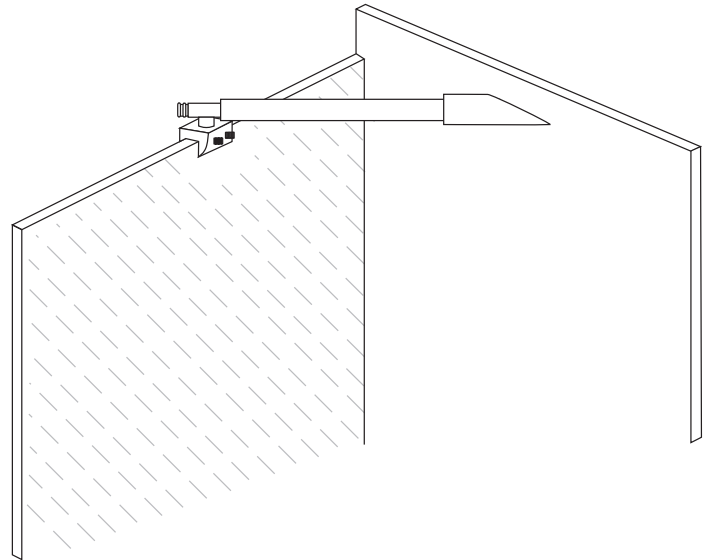
Allows on-site bracing of fixed shower panels at time of installation

Technical Details:

- Aligned at 45° angle from the corner of the shower
- Attaches to glass via two grub screws
- Can be retrofit fixed to stabilise any extra deflection in the glass.
- With the 45° angle it provides a less obtrusive option for fixed panels of glass
- Ideal for fix, swing bath applications
- Suitable for 6, 8 and 10mm glass.

Available Finishes

- Polished chrome



Braces

Technical Details

- Telescopic extendable bracing bars.
- 25mm dia. outer rod, 19mm dia. inner rod
- Complete retrofit bracing system
- Attaches to glass via two grub screws
- Swivel glass attachment for variable angles
- Suitable for 6, 8 and 10mm glass

Available Finishes

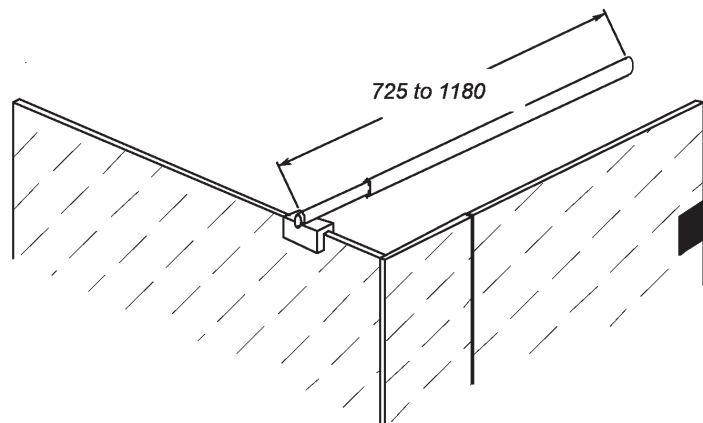
- Polished chrome

FGWB700

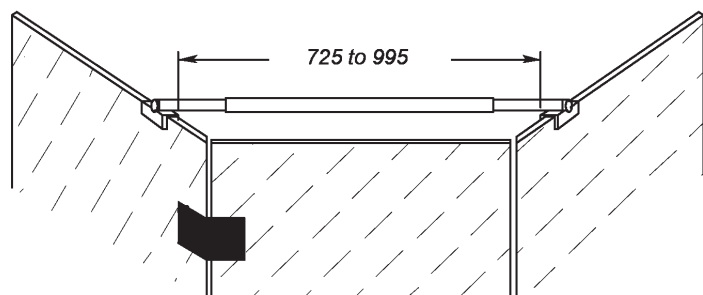
- Provides bracing between of glass panels to wall
- Adjusts from min. 740mm to max. 1180mm for precise fit

FGGB700

- Provides bracing between two glass panels
- Adjust from min. 725mm to max. 995mm at 135° for precise fit.



FGWB700



FGGB700

FGWB1200 OPF

Bracing Bar

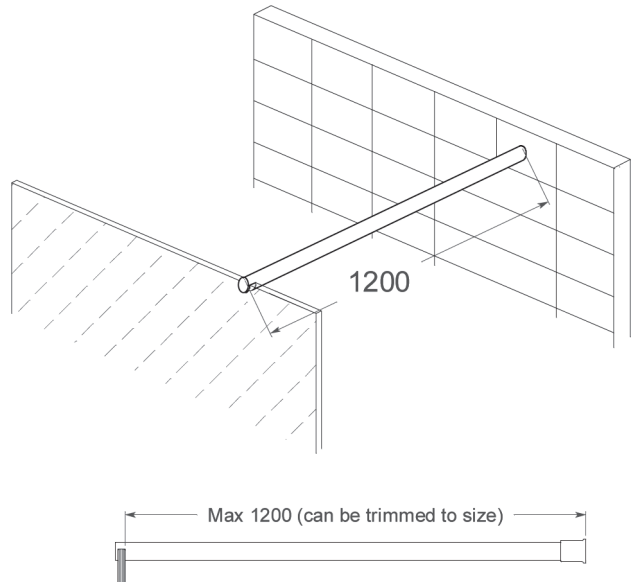
Retrofit bracing bar allows for trimming to size on site

Technical Details

- Provides bracing of glass panels to walls
- Can be trimmed to size on site
- Designed to fit on top of fixed panel

Available Finishes

- Polished chrome



FGWB1200

Glass To Wall Brace (25mm Diameter)

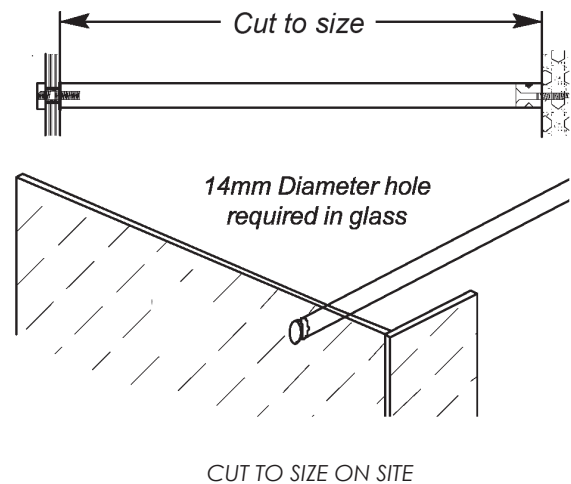
Technical Details

- Provides bracing of glass panels to walls
- Button fix to glass
- On site bracing of fixed shower panels at time of installation

Available Finishes

- Polished chrome

S



Bracing Bars

Custom Size Bracing Bars

Technical Details

- Please provide accurate "nominated size" information for all headers
- Please advise left or right hand for Type "A"
- Type "C" can be supplied in custom angles

Please note: Lead time for all custom bracing bars is 2-3 weeks

Available Finishes

- Polished chrome
- Satin chrome
- Custom finishes upon request

Specify at time of order

- Finish required
- Configuration

Type A

- Length of bar
- Left hand (LH) or Right hand (RH)

Type B

- Length of bar between wall and glass

Type C

- Dimension between the side panels

Type D

- Dimension between the side panels

Type E

- Dimension between wall and side panel

