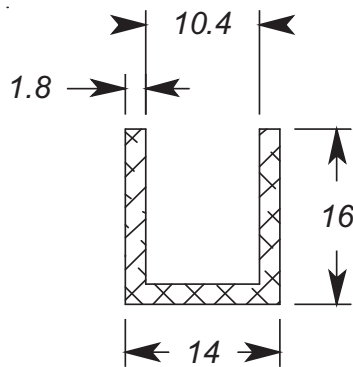




# Channel & Angles Bars

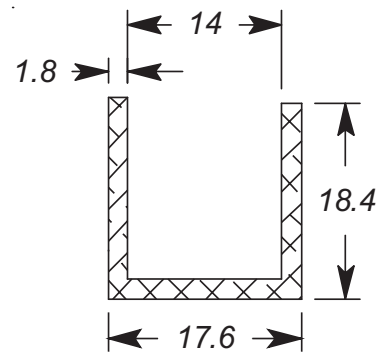
---

Angle Sections • C Channels

**SKU: CH15**
**Aluminium Channel**

**Description**

14mm Aluminium Channel

- CH15 Channel Section
- 14mm x 16mm x 3000mm
- Suits 10mm glass
- Available in Polished, Satin, Black and Mill Finish

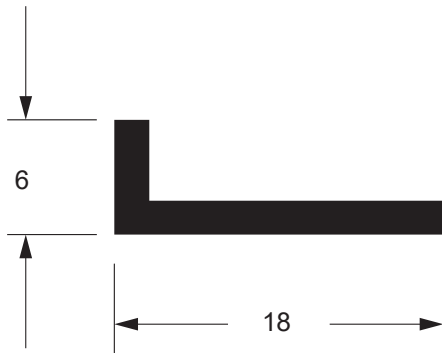
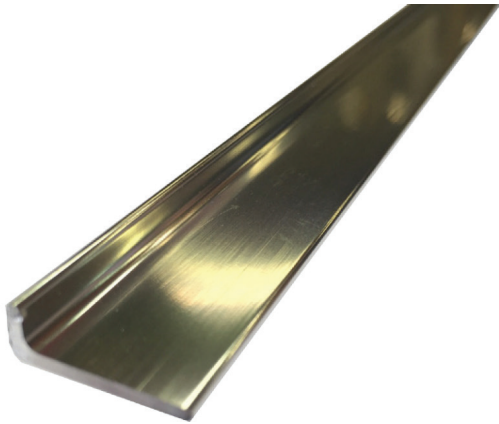
**SKU: CH18**
**Aluminium Channel**

**Description**

18mm Aluminium Channel

- CH18 Channel Section
- 17.6mm x 14mm x 3000mm
- Suits 12mm glass
- Available in Polished, Satin, Black and Mill Finish

SKU: AS1

**Aluminium Angle**



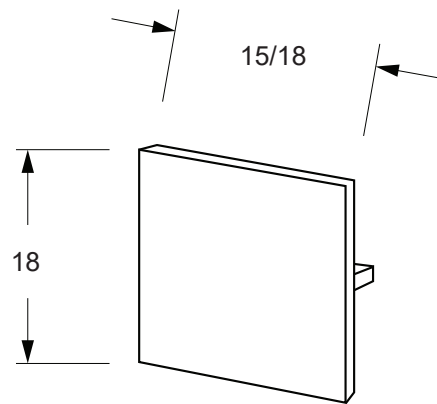
**Description**

18mm Aluminium Angle

- AS1 Angle Section
- 18mm x 6mm x stock length 2000mm
- Polished Finish

SKU: EC1

**Aluminium Channel**



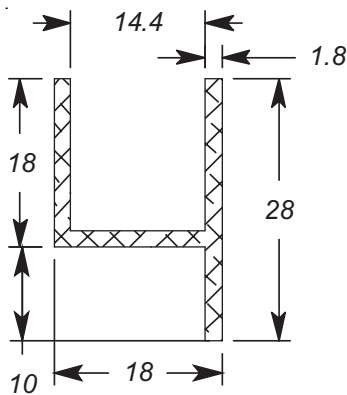
**Description**

Aluminium Channel End Caps

- EC1 Channel End Cap
- To suit CH18 Channel Section
- Polished finish

SKU: HS18

**Aluminium Channel**



**Description**

28mm "H" Section Aluminium Channel

- HS18 Channel Section
- 28mm x 18mm x 3000mm
- Polished Finish

“Engineered Glass Hardware. Expert Advice. Superior Service.”